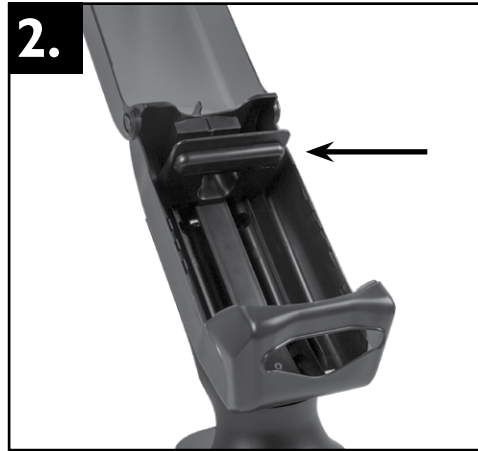


Venue® Napkin Dispenser with Stand Loading Instructions

LOADING THE DISPENSER:



1. Open cover by pressing in on tabs located at the sides and lifting upward.



2. Move the push plate toward the back of the unit - when all the way back the push plate will lock in place.



3. Load fullfold napkins into the space between the push plate and the faceplate - ensure the folded side of the napkin is on the bottom. Close cover after napkins are loaded.

CORRECT

INCORRECT



4a. When the napkins are loaded properly (folded side down with the flap forward) the front flap will be visible through the faceplate opening.



4b. If the napkins are loaded improperly (folded side up OR flap facing backwards) the front flap will not be visible.



5. Properly loaded napkins will allow end users to easily grab the napkin flap - napkins will then dispense one at a time.

San Jamar
555 Koopman Lane
Elkhorn, Wisconsin 53121
USA
T: +1.262.723.6133
F: +1.262.723.4204
info@sanjamar.com
www.sanjamar.com

Canada
15252 32nd Avenue
Suite 309
Surrey, BC V3S 0R7
CANADA
T: +1.262.723.6133
F: +1.262.723.4204
canada@sanjamar.com

Europe
Schoorstraat 26a, bus 1
2220 Heist op-den Berg
BELGIUM
T: +32 15 22 81 40
F: +32 15 22 81 48
emea@sanjamar.com

México
Av. Paseo de la Reforma No. 350 - 10
Col. Juárez
Deleg. Cuauhtemoc, CP 06600
MEXICO, D.F.
T: +52 (55) 3626 0772
mexico@sanjamar.com

 **san jamar**
smart. safe. sanitary.